

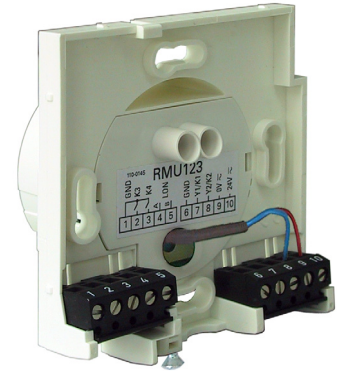
RMU123 Flush-mounted module Technolon®**Application**

Flush-mounted room module for extending the functions of room controller RCW1xx-L.

Allows 3-level fans to be controlled.

3 relay outputs for fan coil AC 230 V max.

Flush-mounted room module RMU123 and room controller RCW1xx-L form a device unit.



Content	Page
Important Information Regarding Product Safety	2
Item	3
Technical Data	3
Dimensions	3
Connection	4
Installation	5
Installation	6

Änderungen vorbehalten - Contents subject to change - Sous réserve de modifications - Reservado el derecho a modificación - Wijzigingen voorbehouden - Con riserva di modifichie - Innehåll som skall ändras - Změny vyhrazeny - Zmiany zastrzeżone - Возможны изменения - A változtatások jogát fenntartjuk - 保留未经通知而改动的权力

Important Information Regarding Product Safety

Safety Instructions

This data sheet contains information on installing and commissioning the product "RMU123". Each person who carries out work on this product must have read and understood this data sheet. If you have any questions that are not resolved by this data sheet, you can obtain further information from the supplier or manufacturer.

If the product is not used in accordance with this data sheet, the protection provided will be impaired.

Applicable regulations must be observed when installing and using the device. Within the EU, these include regulations regarding occupational safety and accident prevention as well as those from the VDE (Association for Electrical, Electronic & Information Technologies). If the device is used in other countries, it is the responsibility of the system installer or operator to comply with local regulations.

Mounting, installation and commissioning work on the devices may only be carried out by qualified technicians. Qualified technicians are persons who are familiar with the described product and who can assess given tasks and recognize possible dangers due to technical training, knowledge and experience as well as knowledge of the appropriate regulations.

Legend



WARNING

Indicates a hazard of medium risk which can result in death or severe bodily injury if it is not avoided.



CAUTION

Indicates a hazard of low risk which can result in minor or medium bodily injury if it is not avoided.



NOTICE

Indicates a hazard of medium risk which can result in material damage or malfunctions if it is not avoided.



NOTE

Indicates additional information that can simplify the work with the product for you.

Notes on Disposal

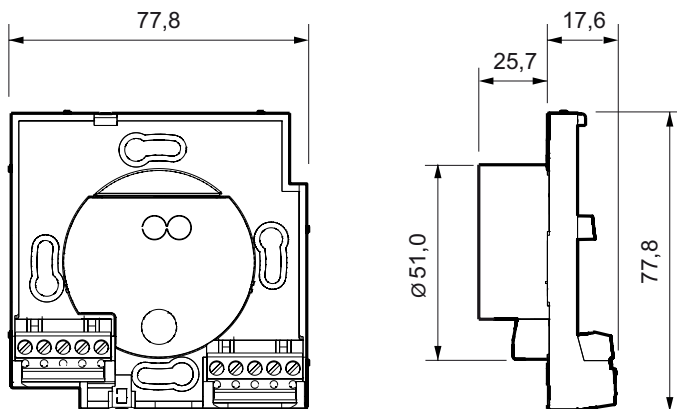
For disposal, the product is considered waste from electrical and electronic equipment (electronic waste) and must not be disposed of as household waste. Special treatment for specific components may be legally binding or ecologically sensible. The local and currently applicable legislation must be observed.

Product Description**RMU123****Item**

RMU123 Flush-mounted room module for extending the functions of a RCW1xx-L

Technical Data

Nominal voltage	AC/DC 24 V \pm 10%
Outputs	3 binary outputs (BO), relay contact AC 230 V max.; 3 A for 3-level fans
Connection	Terminal connection, 2.5 mm ² max.
Housing	Plastic housing, color RAL9010 (pure white), other colors available on request
Degree of protection	IP30
Ambient temperature	0 °C to 45 °C
Ambient humidity	Non-condensing
Installation	Flush-mounted box
Dimensions	WxHxD mm 82.5 x 82.5 x 43
Weight	85 g

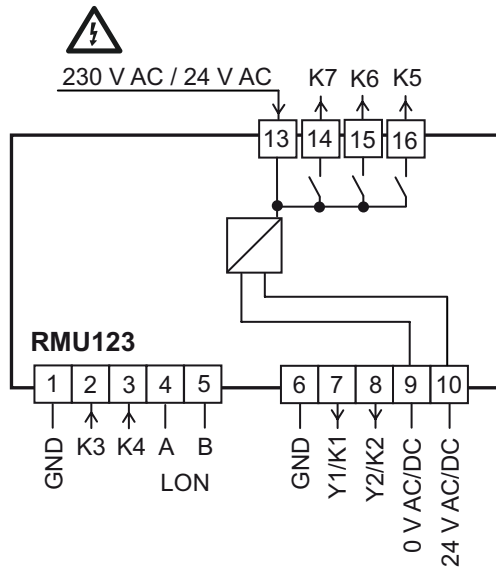
Dimensions

Connection



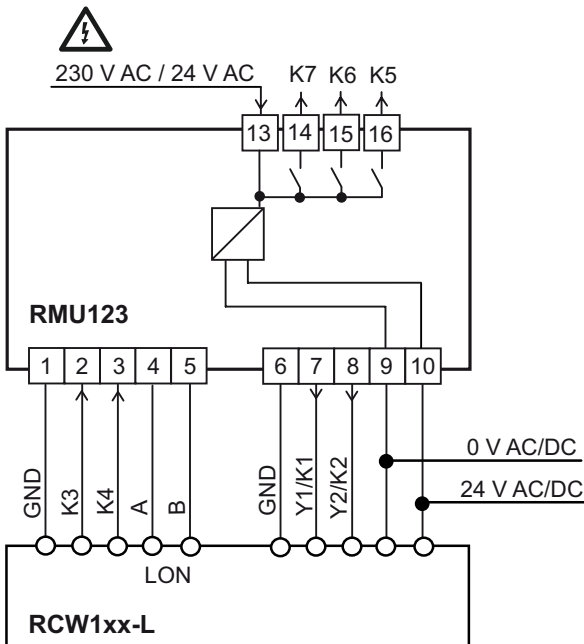
DANGER!

The building's wiring carries potentially life-threatening voltages. Only qualified technicians may connect the device and switch on the mains power supply. Please ensure that this process complies with local wiring regulations.



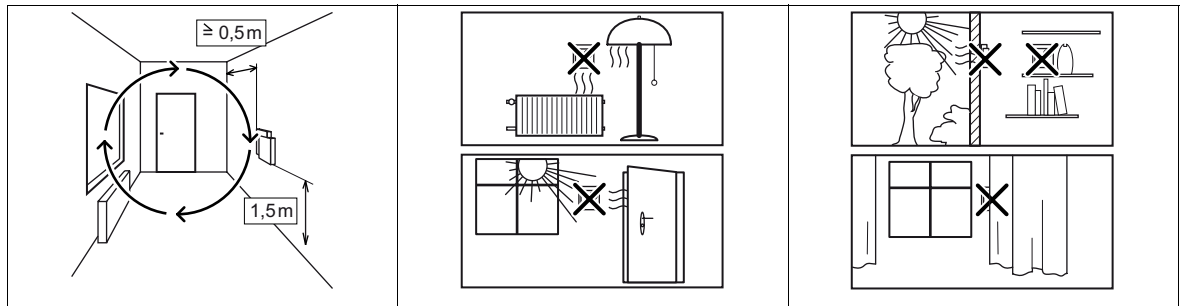
NOTE

Flush-mounted room module RMU123 and room controller RCW1xx-L form a device unit. The inputs and outputs only function once the RCW1xx-L has been plugged onto the flush-mounted room module.



Installation

Choose an installation location that is subject to the air flow of the room to ensure that the controller can quickly and accurately measure the room temperature.



Installation



WARNING

Contact with live parts of electrical domestic installation can cause death due to electric shock. Mounting/removal may only be carried out when power is switched off.

